

Ringer

Grand Symphonic

Professional

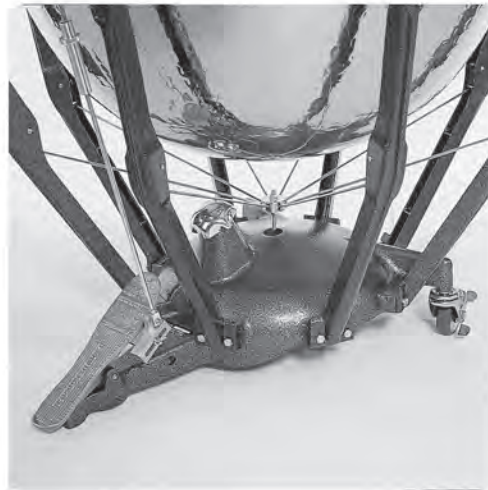
Standard

Universal

Machine

# LUDWIG<sup>®</sup>

## Timpani Parts Catalog



# Ludwig® Timpani Parts Catalog

## Ludwig Timpani Features Guide

FEATURE	RINGER SERIES	GRAND SYMPHONIC SERIES	PROFESSIONAL SERIES	STANDARD SERIES	UNIVERSAL SERIES	MACHINE SERIES
TUNING SYSTEM	Dresden Style with Clutch	Balanced Action™ Pedal	Balanced Action™ Pedal	Balanced Action™ Pedal	Balanced Action™ Pedal	Single Screw System
RANGE	Octave	7th	6th	6th	6th	5th
20" DIAMETER	E3-E4	F3-E4	F3-D4	F3-D4	F3-D4	F3-C4
23" DIAMETER	C3-C4	D3-C3	D3-B3	D3-B3	D3-B3	D3-A3
26" DIAMETER	G2-G3	A2-G3	A2-F3	A2-F3	A2-F3	A2-E3
29" DIAMETER	E2-E3	E2-D3	E2-C3	E2-C3	E2-C3	F2-C3
32" DIAMETER	C2-C3	D2-C2	D2-B2	D2-B2	D2-B2	D2-A2
TUNING MECHANICS	Outside Bowl	Outside Bowl	Outside Bowl	Inside Bowl	Inside Bowl	Inside Bowl
SUSPENDED BOWL	Yes	Yes	Yes	N/A	N/A	N/A
FINE ADJUSTMENT TUNING HANDLE	Yes	N/A	N/A	N/A	N/A	N/A
TUNING GAUGE OPTION	Ringer Style	Professional Direct	Professional Direct	Professional Direct or Standard Hoop Gauge	Standard Hoop Gauge	Standard Hoop Gauge
BOWL MATERIAL	Copper	Copper	Copper/Fiberglass	Copper/Fiberglass	Fiberglass	Fiberglass
HAMMERED COPPER BOWL	Only Option	Only Option	Option	N/A	N/A	N/A
BASE STYLE	Ringer Style	Full Base Casting	Full Base Casting	Full Base Casting	Folding Legs	3 Legs
SHALLOW DROP COVERS	Standard	Standard	Standard	Standard	Standard	Standard
<b>DRUMHEADS</b>						
LUDWIG WEATHER MASTER SMOOTH WHITE MYLAR	Option	Standard	Standard	Standard	Standard	Standard
REMO® RENAISSANCE	Option	Option	Option	Option	N/A	N/A
CALF	Standard	N/A	N/A	N/A	N/A	N/A

## Timpani Heads

Size	Extended Collar		Regular Collar		Ringer	
	White	Clear	White	Clear	White	Clear
Use	All Drums made After 1978		For Standard, Universal, Machine, Made prior to 1978		Plastic Only	

## Timpani Heads

20" / 51cm	C8220	C8120	C9220	C9120	C8252	C8152
23" / 59cm	C8223	C8123	C9223	C9123	C8258	C8158
25" / 64cm			C9225	C9125		
26" / 66cm	C8226	C8126	C9226	C9126	C8264	C8164
28" / 71cm			C9228	C9128		
29" / 74cm	C8229	C8129	C9229	C9129	C8272	C8172
30" / 76cm			C9230	C9130		
32" / 81cm	C8232	C8132	C9232	C9132	C8278	C8178

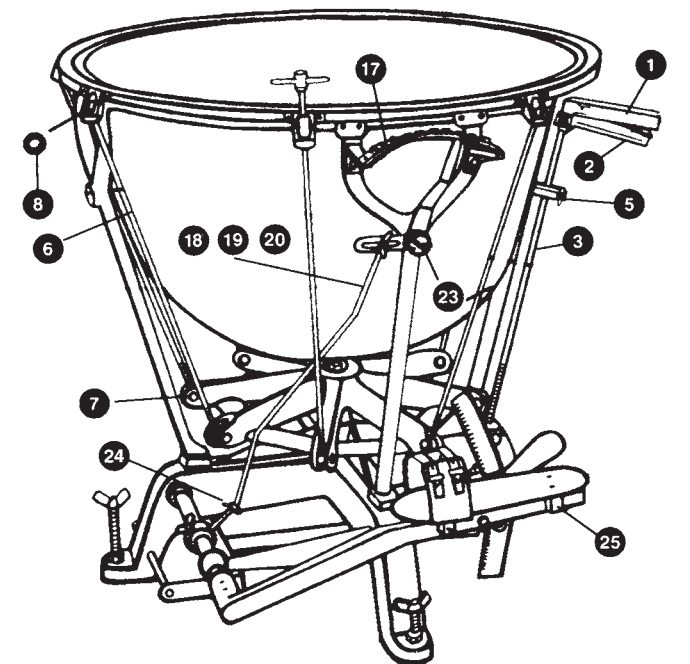
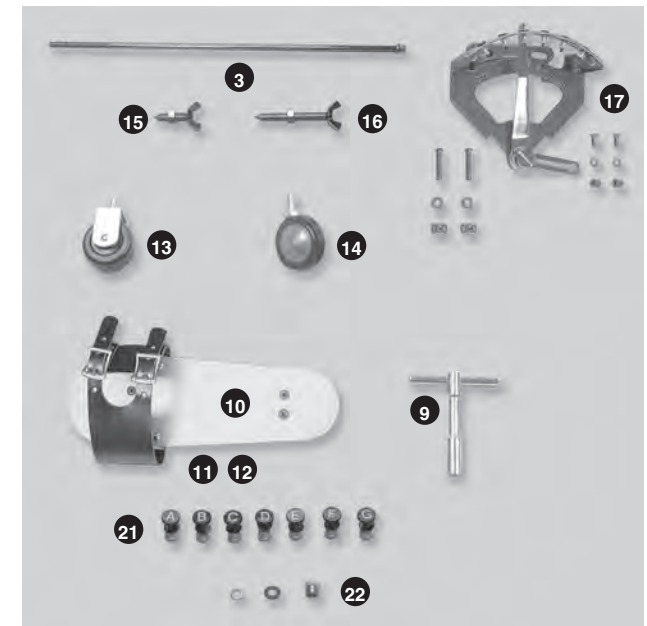
Ludwig products are available for sale through authorized Ludwig dealers. This catalog is intended as a source of general information only. Possession of this catalog does not constitute a contract, agreement or an offer to sell our products. Ludwig reserves the right to change prices or product specifications without prior notice.

Ludwig, is a registered trademark of Conn-Selmer, Inc. All rights are reserved. Reproduction, of whole or in part, of this catalog, or its contents, is strictly prohibited without prior expressed written permission of Conn-Selmer, Inc.

© 2003 Conn-Selmer, Inc.,  
P.O. Box 310, Elkhart, IN 46515

## Ringer Model

1. **P9050A** Pistol Grip assembly for Fine Tuning Rod
2. **P9260** Spring only for Pistol Grip
3. **P9080A** Fine Tuning Rod only, without Pistol Grip
4. **P90551** Fine Tuning Nut (not shown)
5. **P9037A** Wing Screw with leather bracket
6. **P91451** Ringer Tension Rod
7. **P91471** Chrome Tension Nut
8. **P9146** Leather Washer for Lug/Tension Rod
9. **P91551** Ringer Tuning Key
10. **P9045** Footboard Pedal only (no strap)
11. **P9045A** Right Footboard Pedal Assembly
12. **P9045B** Left Footboard Pedal Assembly
13. **P9158A** Stationary Caster, complete with washers and cap nut
14. **P9159A** Swivel Caster, complete with washers and cap nut
15. **P9150A** Small Stage Screw
16. **P9151A** Large Stage Screw
17. **P9105A** Tuning Gauge Rail with mounting screws
18. **P9110** Tuning Gauge Connecting Rod for 52 & 58 cm
19. **P9111** Tuning Gauge Connecting Rod for 64 cm
20. **P9112** Tuning Gauge Connecting Rod for 72 & 78 cm
21. **P9127** Single Letter complete with mounting nut. Specify letter. A-B-C-D-E-F-G
22. **P91281** Letter Nut
23. **P91291** Pointer Bearing Assembly
24. **P9401A** Wing Nut Assembly complete with washers & screw
25. **P9428** Cap Screw

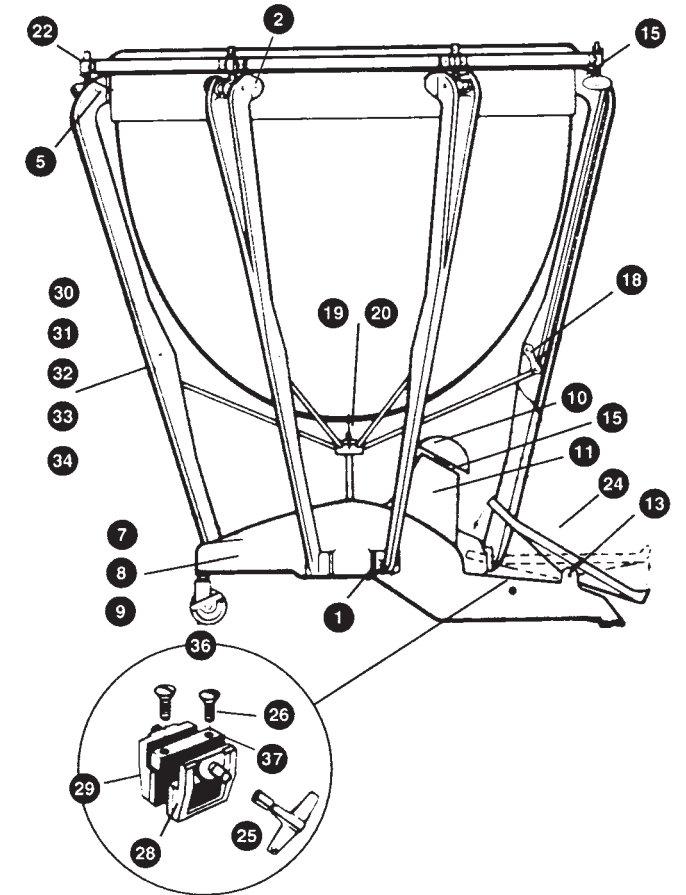
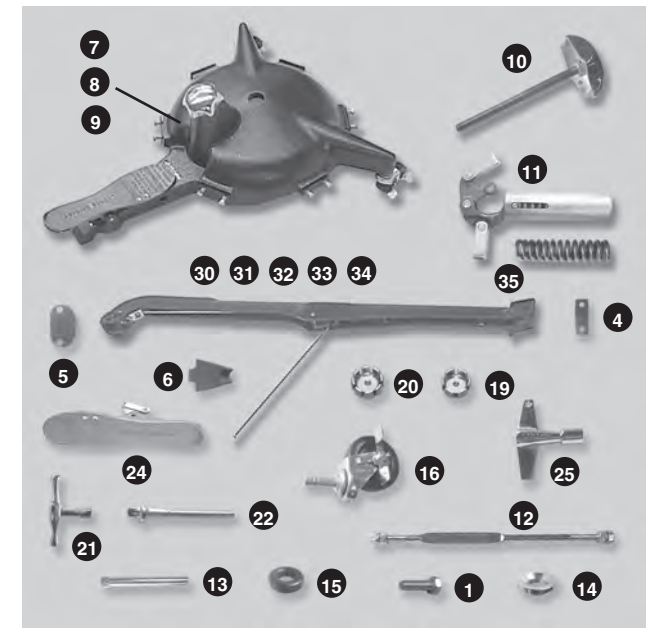
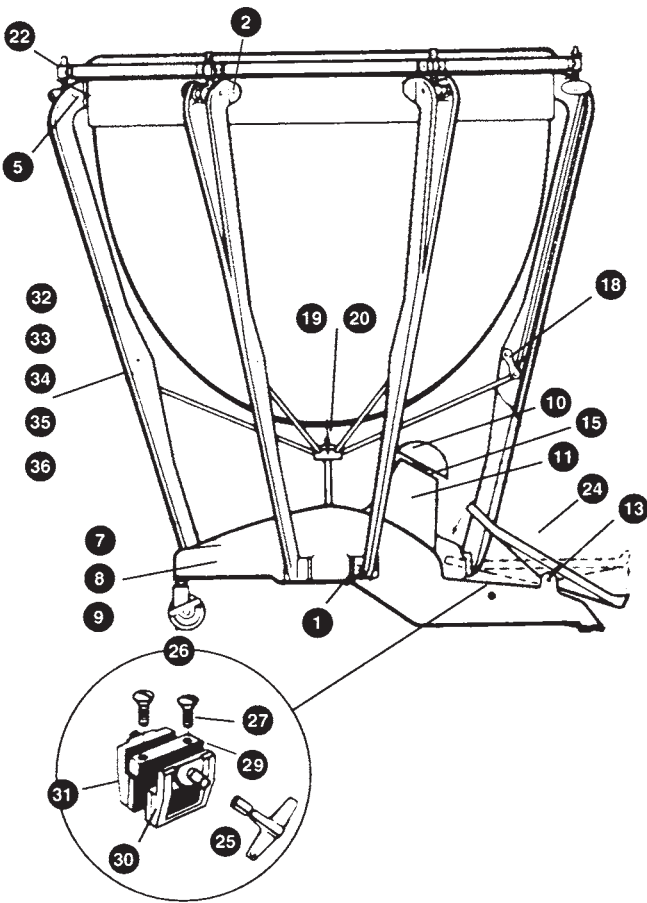
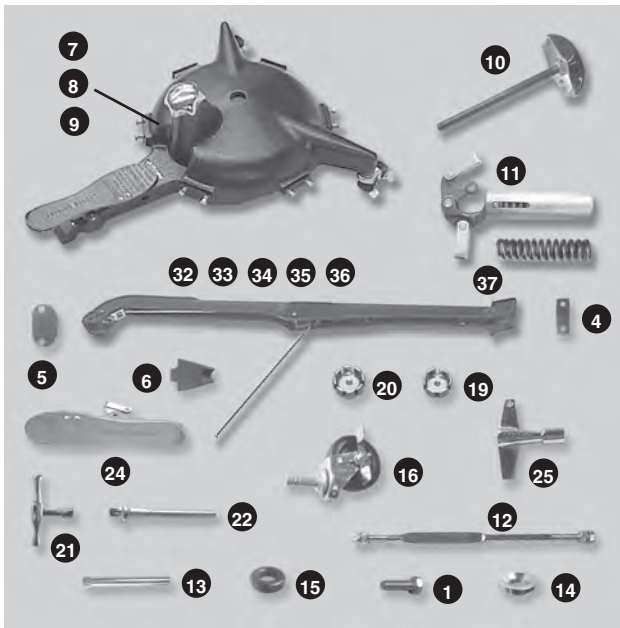


## Grand Symphonic Model

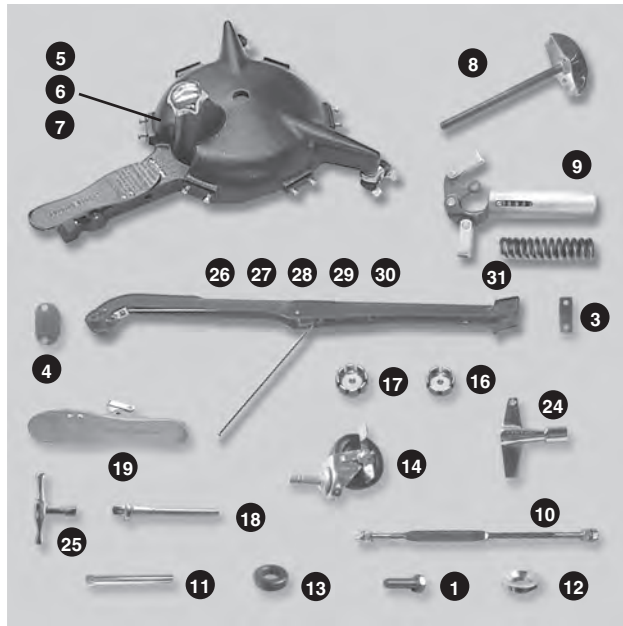
1. **P0220** Strut Hex Cap Screw
2. **P0236A** Flat Mounting Screw Assembly with Acorn Nut (Strut to Ring)
4. **P0631** Strut Gasket (bottom)
5. **P0632** Strut Gasket (top)
6. **P0633** Strut Rubber Insert (center)
7. **P1400A** Base Casting Assembly, complete for 20"
8. **P1467A** Base Casting Assembly, complete for 23", 26"
9. **P1468A** Base Casting Assembly, complete for 29", 32"
10. **P1406A** Knob Assembly
11. **P1410A** Compression Spring Case Assembly
12. **P3258A** Pedal Connecting Rod Assembly
13. **P14161** Footboard Pin
14. **P14201** Bearing Flange
15. **P1426A** Ball-bearing and Flange Assembly
16. **P1447** 3" Caster
17. **P14611** Bell Crank Link (oval, for top) (not shown)
18. **P14741** Bell Crank Link (triangular, for center)
19. **P14591** Tension Rod Spider (for six rod models: 20", 23")
20. **P14601** Tension Rod Spider (for eight rod models: 26", 29", 32")
21. **P15011** Tuning Key
22. **P1566** Key Tension Rod
23. **P15581** Strut Pin (not shown)
24. **P1582A** Footboard Assembly
25. **P4006** Drum Key for Brake Assembly
26. **P3261B** Pedal Brake Assembly, complete
27. **P0244** Brake Mounting Screws
28. **P32591** Thread Shaft
29. **P3260** Brake Block
30. **P3261RA** Brake Arm Assembly, right
31. **P3261LA** Brake Arm Assembly, left
32. **P3300A** Strut Assembly, complete for 20"
33. **P3305A** Strut Assembly, complete for 23"
34. **P3306A** Strut Assembly, complete for 26"
35. **P3309A** Strut Assembly, complete for 29"
36. **P3312A** Strut Assembly, complete for 32"
37. **P1412** Spring only for compression spring casing assembly

## Professional Model

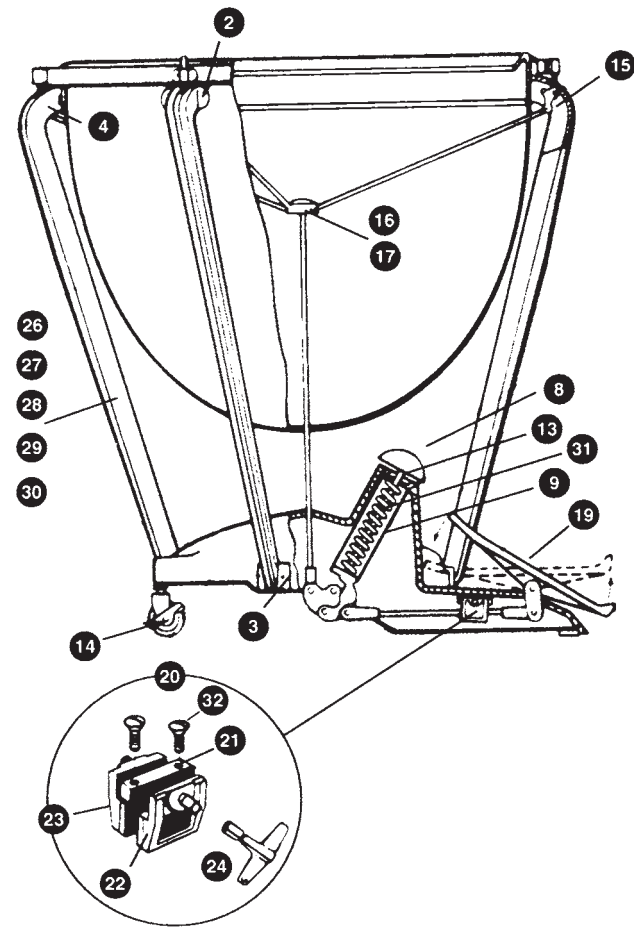
1. **P0220** Strut Hex Cap Screw
2. **P0236** Flat Mounting Screw Assembly with Acorn Nut (Strut to Ring)
4. **P0631** Strut Gasket (bottom)
5. **P0632** Strut Gasket (top)
6. **P0633** Strut Rubber Insert (center)
7. **P1400A** Base Casting Assembly, complete for 20", 23"
8. **P1467A** Base Casting Assembly, complete for 26"
9. **P1468A** Base Casting Assembly, complete for 29", 32"
10. **P1406A** Knob Assembly
11. **P1410A** Compression Spring Case Assembly
12. **P3258A** Pedal Connecting Rod Assembly
13. **P14161** Footboard Pin
14. **P14201** Bearing Flange
15. **P1426A** Ball-bearing and Flange Assembly
16. **P1447** 3" Caster
17. **P14611** Bell Crank Link (oval, for top) (not shown)
18. **P14741** Bell Crank Link (triangular, for center)
19. **P14591** Tension Rod Spider (for six rod models: 20", 23")
20. **P14601** Tension Rod Spider (for eight rod models: 26", 29", 32")
21. **P15011** Tuning Key
22. **P1566** Key Tension Rod
23. **P15581** Strut Pin (not shown)
24. **P1582A** Footboard Assembly
25. **P4006** Drum Key for Brake Assembly
26. **P0244** Brake Mounting Screws
27. **P32591** Thread Shaft
28. **P3261RA** Brake Arm Assembly, right
29. **P3261LA** Brake Arm Assembly, left
30. **P3300A** Strut Assembly, complete for 20"
31. **P3303A** Strut Assembly, complete for 23"
32. **P3306A** Strut Assembly, complete for 26"
33. **P3309A** Strut Assembly, complete for 29"
34. **P3312A** Strut Assembly, complete for 32"
35. **P1412** Spring only for compression spring case assembly
36. **P3261B** Brake Assembly, complete
37. **P3260** Brake Block



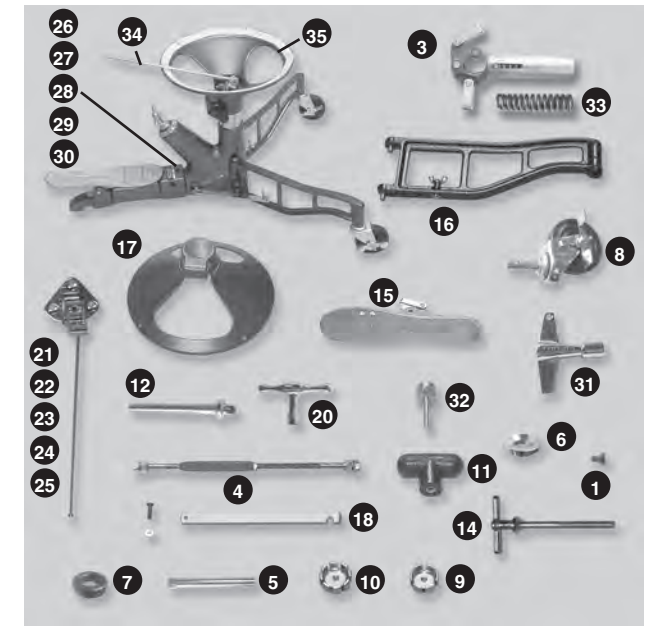
## Standard Symphony



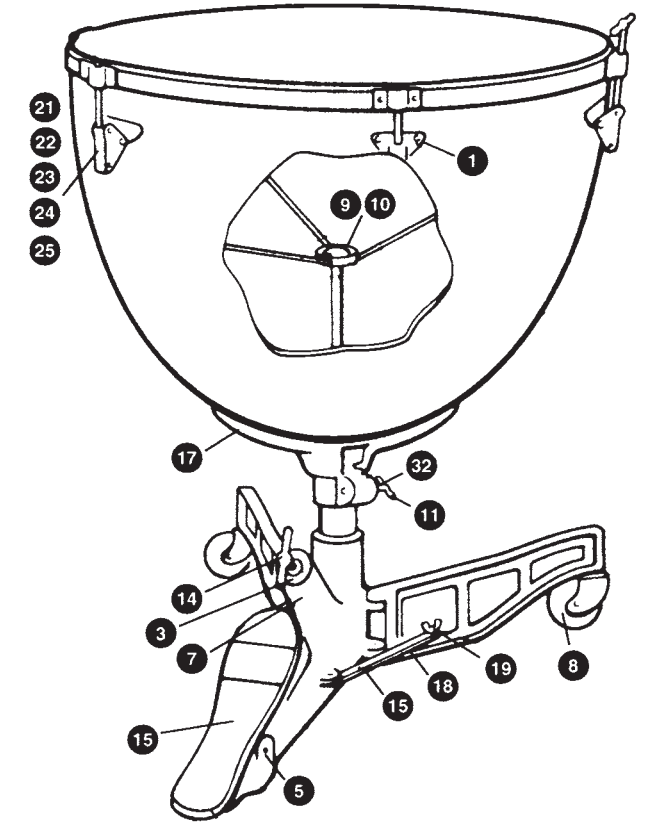
1. **P0220** Strut Hex Cap Screw
2. **P0115** Screw Hex Nut (not shown)
3. **P0631** Strut Gasket (bottom)
4. **P0632** Strut Gasket (top)
5. **P1400A** Base Casting Assembly, complete for 20", 23", 26"
6. **P1401A** Base Casting Assembly, complete for 29"
7. **P1468A** Base Casting Assembly, complete for 32"
8. **P1406A** Knob Assembly
9. **P1410A** Compression Spring Case Assembly
10. **P3258A** Pedal Connecting Rod Assembly
11. **P14161** Footboard Pin
12. **P14201** Bearing Flange
13. **P1426** Ball-bearing and Flange Assembly
14. **P1445** 3" Caster
15. **P14501** Bell Crank Link
16. **P14591** Tension Rod Spider (for six rod models: 20", 23", 26", 29")
17. **P14601** Tension Rod Spider (for eight rod models: 32")
18. **P1549** Key Tension Rods (optional)
19. **P1582A** Footboard Assembly
20. **P3261B** Brake Assembly, complete
21. **P3260** Brake Block
22. **P3261RA** Brake Arm Assembly, right
23. **P3261LA** Brake Arm Assembly, left
24. **P4006** Drum Key for Brake Assembly
25. **P15011** Tuning Key (for key tension rods)
26. **P3301A** Strut Assembly for 20"
27. **P3304A** Strut Assembly for 23"
28. **P3307A** Strut Assembly for 26"
29. **P3310A** Strut Assembly for 29"
30. **P3313A** Strut Assembly for 32"
31. **P1412** Spring only for compression spring casing assembly
32. **P0244** Brake Mounting Screws

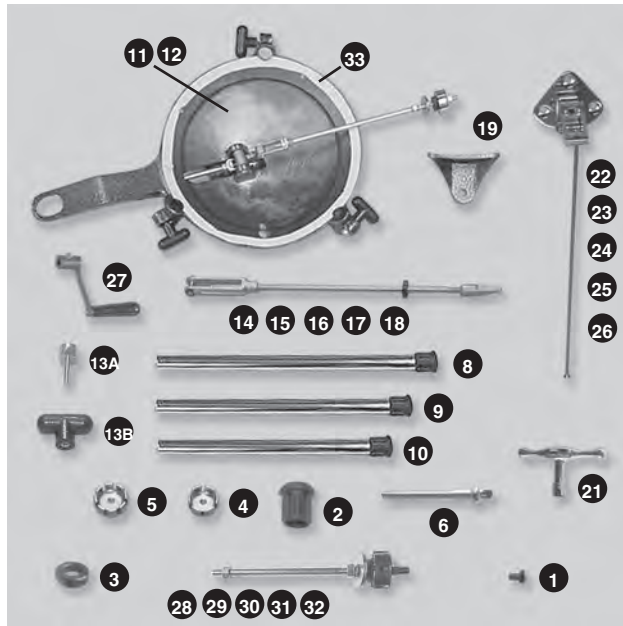


## Universal Model



1. **P0244** Mounting Screw (Tension Bracket to Kettle)
3. **P1410A** Compression Spring Case Assembly
4. **P1411A** Pedal Connecting Rod Assembly
5. **P14161** Footboard Pin
6. **P14201** Bearing Flange
7. **P1426A** Ball-bearing and Flange Assembly
8. **P1445** 3" Caster
9. **P14591** Tension Rod Spider (for six rod models: 20", 23", 26", 29")
10. **P14601** Tension Rod Spider (for eight rod models: 30" and 32" Kettles only)
11. **P1534** "T" Handle Knob
12. **P1549** Key Tension Rods (optional)
13. **P3261B** Pedal Brake Assembly, complete
14. **P1581A** Spring Tension "T" Handle Assembly
15. **P1582A** Footboard Assembly
16. **P1583A** Folding Leg Casting Assembly
17. **P1586A** Nest Assembly
18. **P1596** Leg Brace 7-7/16"
19. **P0241A** Leg Brace Fastener Screw and Wing nut
20. **P15011** Tuning Key (for key tension rods)
21. **P1503120** Kettle Lug Assembly for 20" Kettle
22. **P1503123** Kettle Lug Assembly for 23" Kettle
23. **P1503126** Kettle Lug Assembly for 26" Kettle
24. **P1503129** Kettle Lug Assembly for 29" Kettle
25. **P1503132** Kettle Lug Assembly for 32" Kettle
26. **P1585A** Base Assembly for 20"
27. **P1585B** Base Assembly for 23"
28. **P1585C** Base Assembly for 26"
29. **P1585D** Base Assembly for 29"
30. **P1585E** Base Assembly for 32"
31. **P4006** Drum Key
32. **P15911** Stud Lock
33. **P1412** Spring only for compression spring casing assembly
34. **P14511** Center Pull Rod
35. **P19903** Felt Strip

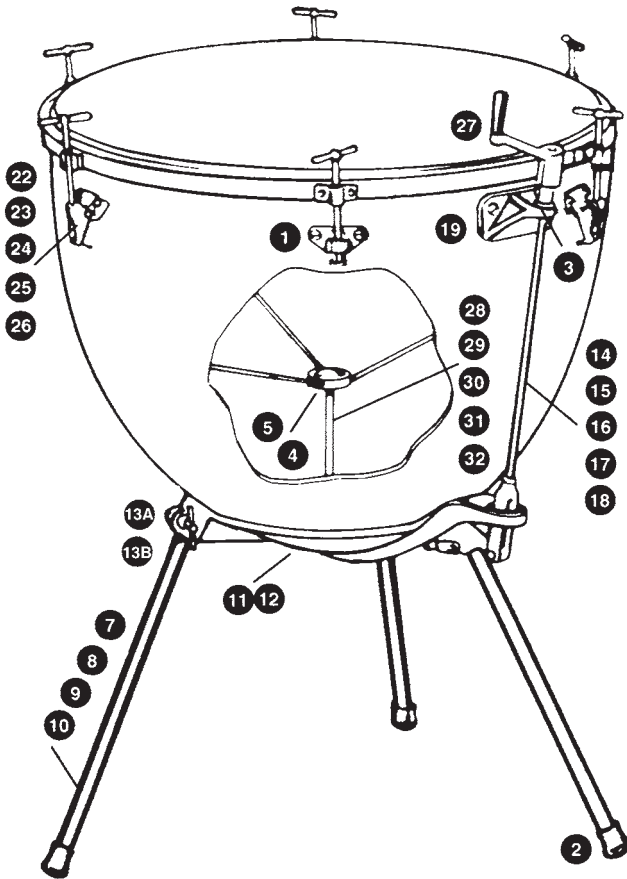




## Machine Model

1. **P0244** Mounting Screw (Tension Bracket to Kettle)
2. **P0613** Rubber Crutch Tip
3. **P1441** Tuning Rod Bearing
4. **P14591** Tension Rod Spider (for six rod models: 20", 23", 26", 29")
5. **P14601** Tension Rod Spider (for eight rod models: 30" and 32")
6. **P1549** Key Tension Rod
7. **P3264A** Tubular Leg 22" for 20" Kettle with crutch tip
8. **P1553A** Tubular Leg 20½" for 23" Kettle with crutch tip
9. **P1554A** Tubular Leg 17¼" for 26" Kettle with crutch tip
10. **P1555A** Tubular Leg 15½" for 29" & 32" Kettle with crutch tip
11. **P1570A** Nest Base Assembly for 20", 23", 26" & 29"
12. **P1569A** Nest Base Assembly for 32" Kettles
- 13A. **P15731** Stud Lock for Leg
- 13B. **P1534** "T" Handle Knob
14. **P1387A** Master Tuning Rod Assembly without Handle (for 20" Kettle)
15. **P1390A** Master Tuning Rod Assembly without Handle (for 23" Kettle)
16. **P1576A** Master Tuning Rod Assembly without Handle (for 26" Kettle)
17. **P1577A** Master Tuning Rod Assembly without Handle (for 29" Kettle)
18. **P1388A** Master Tuning Rod Assembly without Handle (for 32" Kettle)
19. **P15401** Mounting Bracket for Tuning Rod with 2 screw assemblies
20. **P0225** Screw Assembly for Tuning Rod Bracket (not shown)
21. **P15011** Tuning Key (for tension rods)
22. **P1503120** Kettle Lug Assembly for 20" Kettle
23. **P1503123** Kettle Lug Assembly for 23" Kettle
24. **P1503126** Kettle Lug Assembly for 26" Kettle
25. **P1503129** Kettle Lug Assembly for 29" Kettle
26. **P1503132** Kettle Lug Assembly for 32" Kettle
27. **P1579A** Tuning Handle
28. **P15411** Center Pull Rod Assembly for 20"
29. **P14861** Center Pull Rod Assembly for 23"
30. **P14511** Center Pull Rod Assembly for 26"
31. **P15671** Center Pull Rod Assembly for 29"
32. **P15441** Center Pull Rod Assembly for 32"
33. **P19903** Felt Strip

7



## Kettles



### Grand Symphonic Hammered Copper

Number	Description
P7100H	20"
P7101H	23"
P7102H	26"
P7103H	29"
P7104H	32"

### Ringer Hammered Copper

Number	Description
P9300H	52cm
P9305H	58cm
P9310H	64cm
P9315H	72cm
P9325H	78cm

### Professional Series Hammered Copper

Number	Description
P1438H	20"
P1434H	23"
P1446H	26"
P1449H	29"
P1435H	32"

### Polished Copper

Number	Description
P1438B	20"
P1434B	23"
P1446B	26"
P1449B	29"
P1435B	32"

### Aluminum or Fiberglass

Number	Description
P1437B	20" Aluminum
P1492B	23" Fiberglass
P1477B	26" Fiberglass
P1478B	29" Fiberglass
P1494B	32" Fiberglass

### Standard Series Polished Copper

Number	Description
P1438A	20"
P1434A	23"
P1446A	26"
P1449A	29"
P1435A	32"

### Aluminum or Fiberglass

Number	Description
P1437A	20" Aluminum
P1492A	23" Fiberglass
P1477A	26" Fiberglass
P1478A	29" Fiberglass
P1494A	32" Fiberglass

### Universal Series Aluminum or Fiberglass

Number	Description
P1437U	20" Aluminum
P1492U	23" Fiberglass
P1477U	26" Fiberglass
P1478U	29" Fiberglass
P1494U	32" Fiberglass

### Machine Series Aluminum or Fiberglass

Number	Description
P1437M	20" Aluminum
P1492M	23" Fiberglass
P1477M	26" Fiberglass
P1478M	29" Fiberglass
P1494M	32" Fiberglass

8

## Support Bands

### Grand Symphonic Powder Coated Only

Number	Description
P71101	20"
P71111	23"
P71121	26"
P71131	29"
P71141	32"



### Professional Series Powder Coated

Number	Description
P32102	20"
P32112	23"
P32122	26"
P32132	29"
P32142	32"

### Chrome

Number	Description
P32101	20"
P32111	23"
P32121	26"
P32131	29"
P32141	32"

## Head Protectors



Ludwig Fiber Head Protector

### Ringer Head Protector (Wood)

Number	Description
P9062A	52cm.
P9063A	58cm.
P9064A	64cm.
P9065A	72cm.
P9067A	78cm.
P9038	Cover Strap
P9039A	Buckle Strap
P0509	Strap Rivet

### Ludwig Fiber Head Protector

Number	Description
L1070	20"
L1071	23"
L1073	26"
L1075	29"
L1077	32"

## Hoops



### Ringer Chrome

Number	Description
P9230A	52cm
P9236A	58cm
P9241A	64cm
P9246A	72cm
P9254A	78cm

### Grand Symphonic Power Coated

Number	Description
P324661	20" 6 Lug
P324781	23" 8 Lug
P324881	26" 8 Lug
P324981	29" 8 Lug
P325081	32" 8 Lug

### Professional Series Powder Coated

Number	Description
P324661	20" 6 Lug
P324761	23" 6 Lug
P324881	26" 8 Lug
P324981	29" 8 Lug
P325081	32" 8 Lug

### Standard

Number	Description
P324661	20" 6 Lug
P324761	23" 6 Lug
P324861	26" 6 Lug
P324961	29" 6 Lug
P325081	32" 8 Lug

## Universal

### Powder Coated

Number	Description
P324661	20" 6 Lug
P324761	23" 6 Lug
P324861	26" 6 Lug
P324961	29" 6 Lug
P325081	32" 8 Lug

### Chrome

Number	Description
P32466	20" 6 Lug
P32476	23" 6 Lug
P32486	26" 6 Lug
P32496	29" 6 Lug
P32508	32" 8 Lug

## Machine

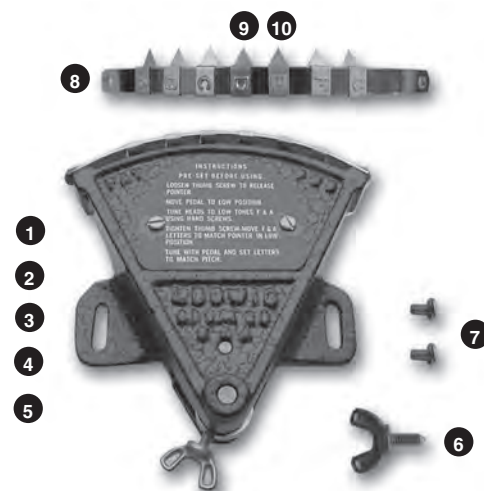
### Powder Coated

Number	Description
P324661	20" 6 Lug
P324761	23" 6 Lug
P324861	26" 6 Lug
P324961	29" 6 Lug
P325081	32" 8 Lug

### Chrome

Number	Description
P32466	20" 6 Lug
P32476	23" 6 Lug
P32486	26" 6 Lug
P32496	29" 6 Lug
P32508	32" 8 Lug

## Gauges

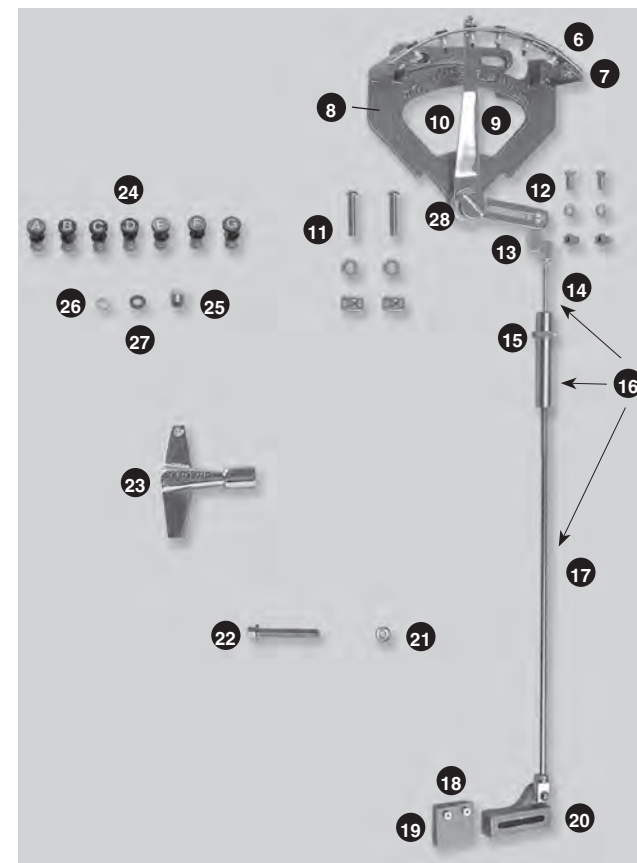


### Standard Hoop Gauge

(Mounting instructions included)

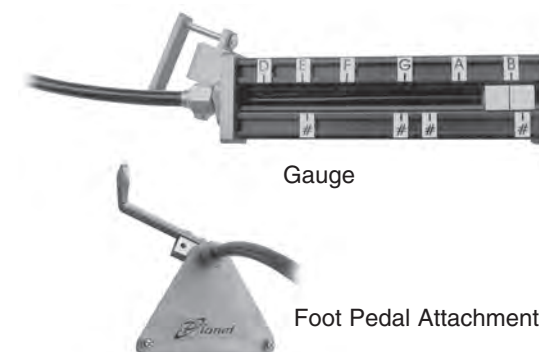
Number	Description
1. LKH 20	20"
2. LKH 23	23"
3. LKH 26	26"
4. LKH 29	29"
5. LKH 32	32"
6. P1444	Wing Screw
7. P0253	Rail Mounting Screw
8. P1439	Letter Rail only
9. P1442	Rail Letters (set only A-G) 29"-32"
10. P1443	Rail Letters (set only A-G) 20"-23"-26"
11. P13991	Spacer Block (not shown)
12. P0236A	Mounting Screw w/acorn nut (not shown)

## Gauges



### Planet Tuning Gauge

with cable and foot pedal attachment  
(mounting instructions included)



### Grand Symphonic & Professional Models

Number	Description
LKP 20	20"
LKP 23	23"
LKP 26	26"
LKP 29	29"
LKP 32	32"

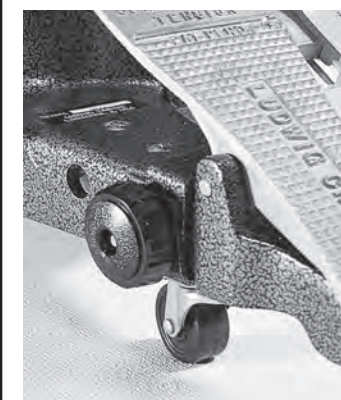
### Standard Models

Number	Description
LKP 26S	20"
LKP 29S	23"
LKP 33	Gauge Cover (not shown)

### Pro Tuning Gauge (Mounting Instructions Included)

Number	Description	Number	Description
1. LKG 20	20"	16. P3288A	Connecting Rod Assembly
2. LKG 23	23"		(Includes P32861 Connecting Rod, P3274A Adjusting Screw and P32871 Connecting Rod.)
3. LKG 26	26"	17. P32871	Connecting Rod – long
4. LKG 29	29"	18. P0287	Mounting screw
5. LKG 32	32"	19. P3273	Foot Pedal Block
6. P9105	Rail	20. P32691	Adj-block
7. P0527	Rail Rivet	21. P0326	Washer
8. P32711	Base Casting	22. P3008	Key Rod
9. P9100L1	Pointer (LH)	23. P4006	Key
10. P9100R1	Pointer (RH)	24. P9127	Letter – A,B,C, D, E, F, G
11. P0241A	Mounting screw w/nuts	25. P91281	Letter Nut
12. P0108	Wing Nut	26. P0304	Washer
13. P3268	Connecting Link	27. E2450	Washer
14. P32861	Connecting Rod	28. P91291	Pointer Bearing
15. P3274A	Adjusting Screw		

## Miscellaneous



### Third Wheel Timpani Assembly

An all-directional third wheel may be attached under the floor pedal if greater mobility is desired.

### Grand Symphonic, Professional & Standard Assembly

Model P1423

Universal Assembly only

Model P1424

### Drum Key Pouch Leather w/Velcro® closure Model L202





P.O. Box 310  
Elkhart, Indiana 46515-0310 U.S.A.  
[www.ludwig-drums.com](http://www.ludwig-drums.com)